

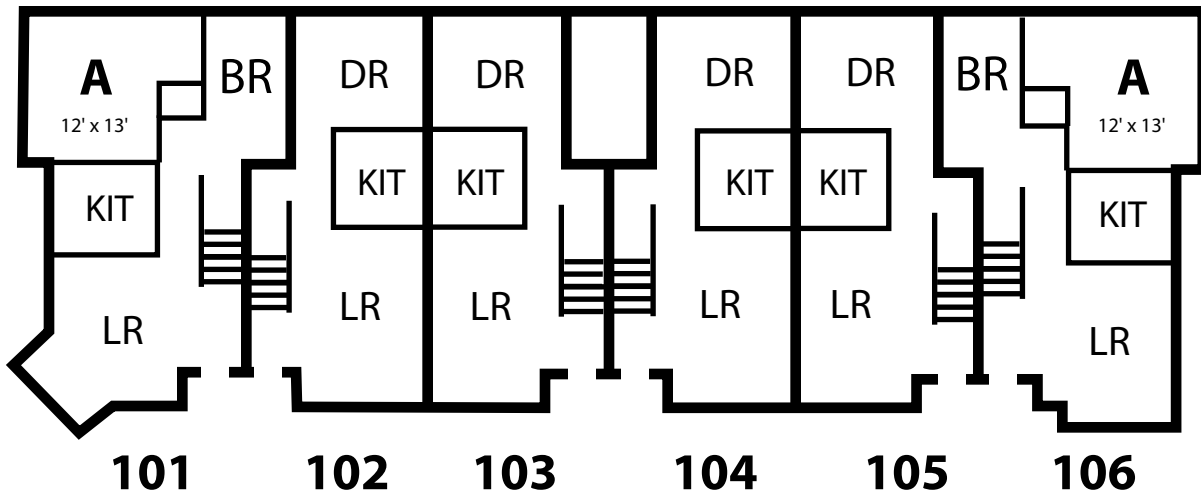
Knights Village

MENDOTA HAUS

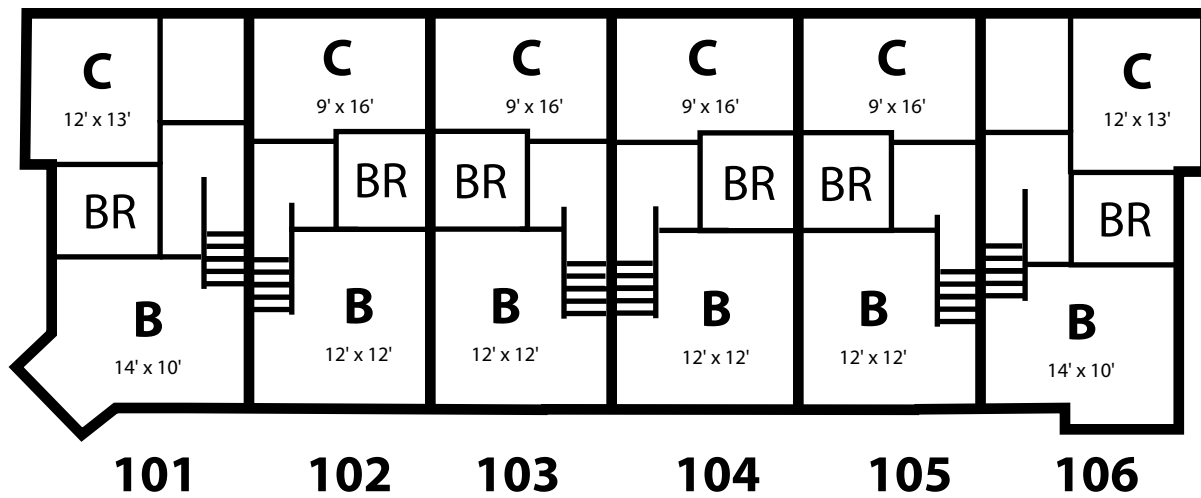
(Room dimensions are approximate within four inches.)

Closets are not included in dimensions or on this floor plan.

Living and dining room dimensions are not listed because they are furnished and vary by building.



First Floor



Second Floor



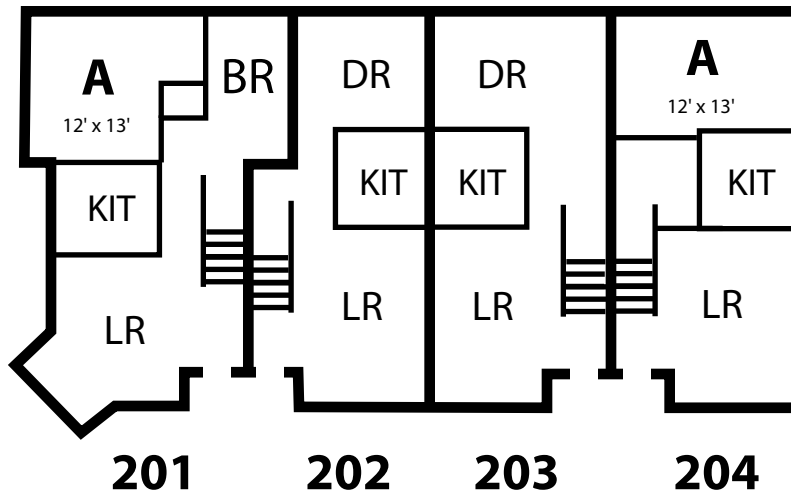
Knights Village

GALENA HAUS

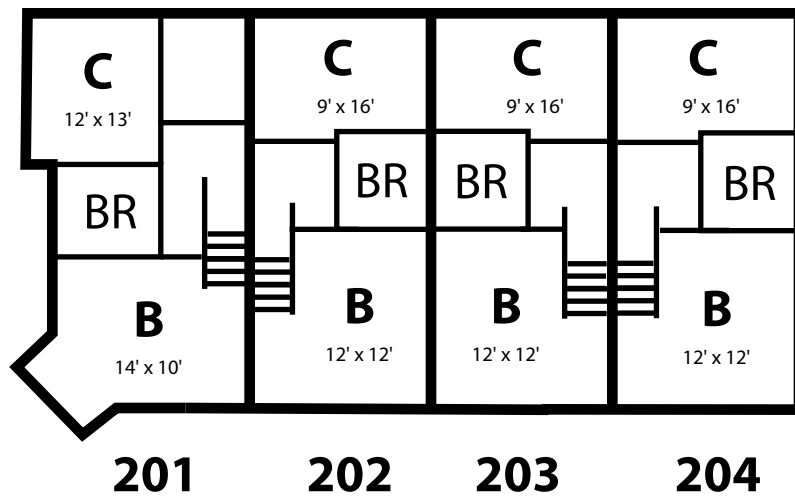
(Room dimensions are approximate within four inches.)

Closets are not included in dimensions or on this floor plan.

Living and dining room dimensions are not listed because they are furnished and vary by building.



First Floor



Second Floor



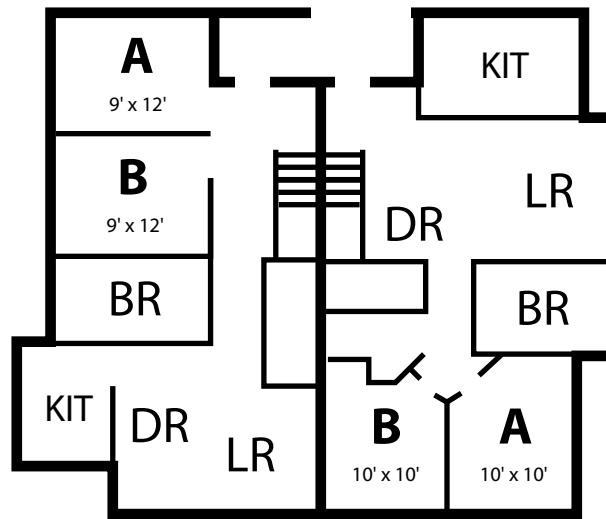
Knights Village

DUBUQUE HAUS

(Room dimensions are approximate within four inches.)

Closets are not included in dimensions or on this floor plan.

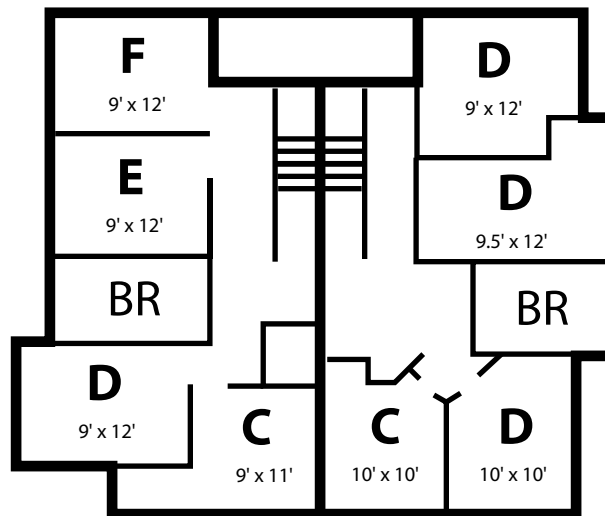
Living and dining room dimensions are not listed because they are furnished vary by building.



301

302

First Floor



301

302

Second Floor



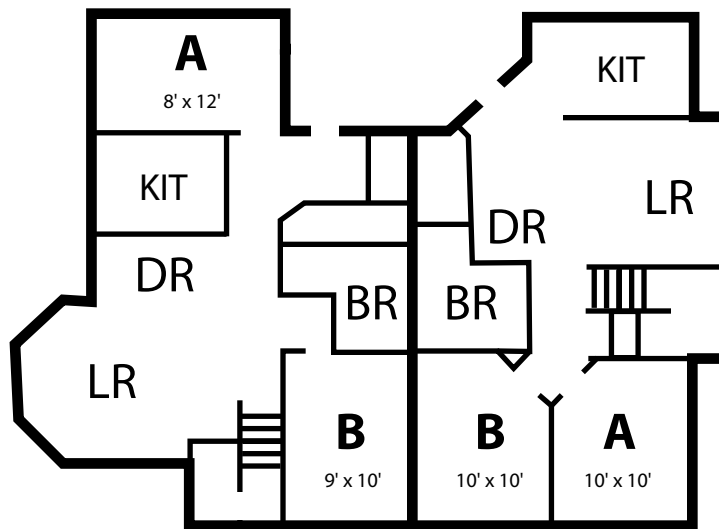
Knights Village

ST. SEBALD HAUS

(Room dimensions are approximate within four inches.)

Closets are not included in dimensions or on this floor plan.

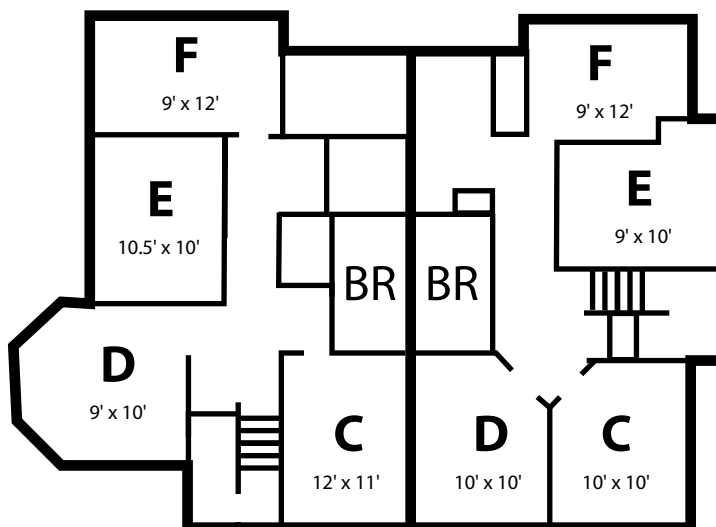
Living and dining room dimensions are not listed because they are furnished vary by building.



401

402

First Floor



401

402

Second Floor





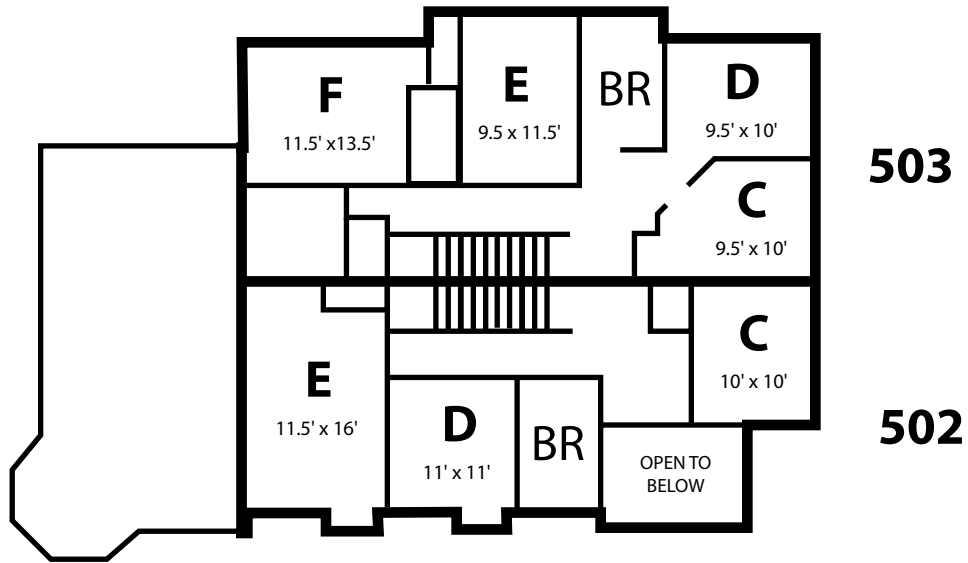
Knights Village

SAGINAW HAUS

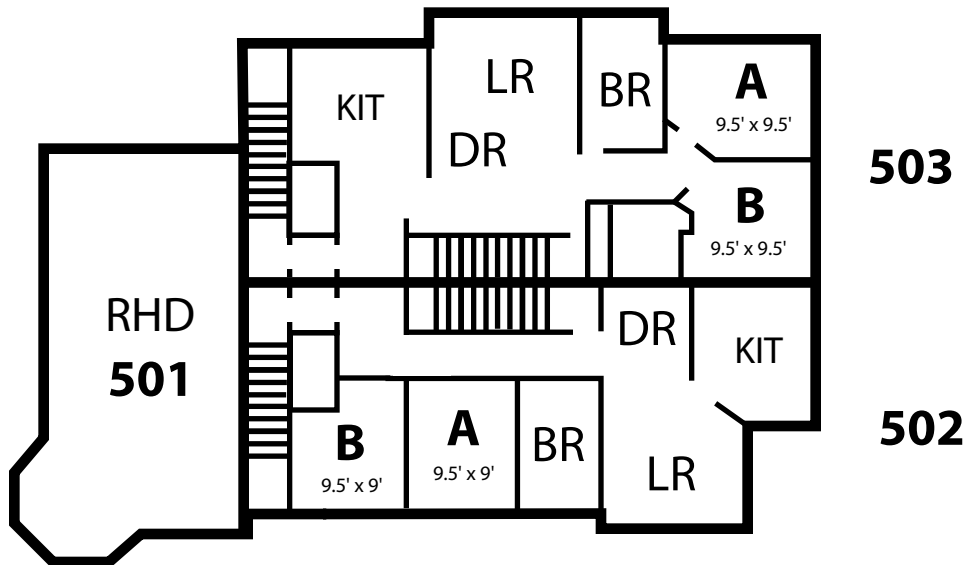
(Room dimensions are approximate within four inches.)

Closets are not included in dimensions or on this floor plan.

Living and dining room dimensions are not listed because they are furnished vary by building.



Third Floor

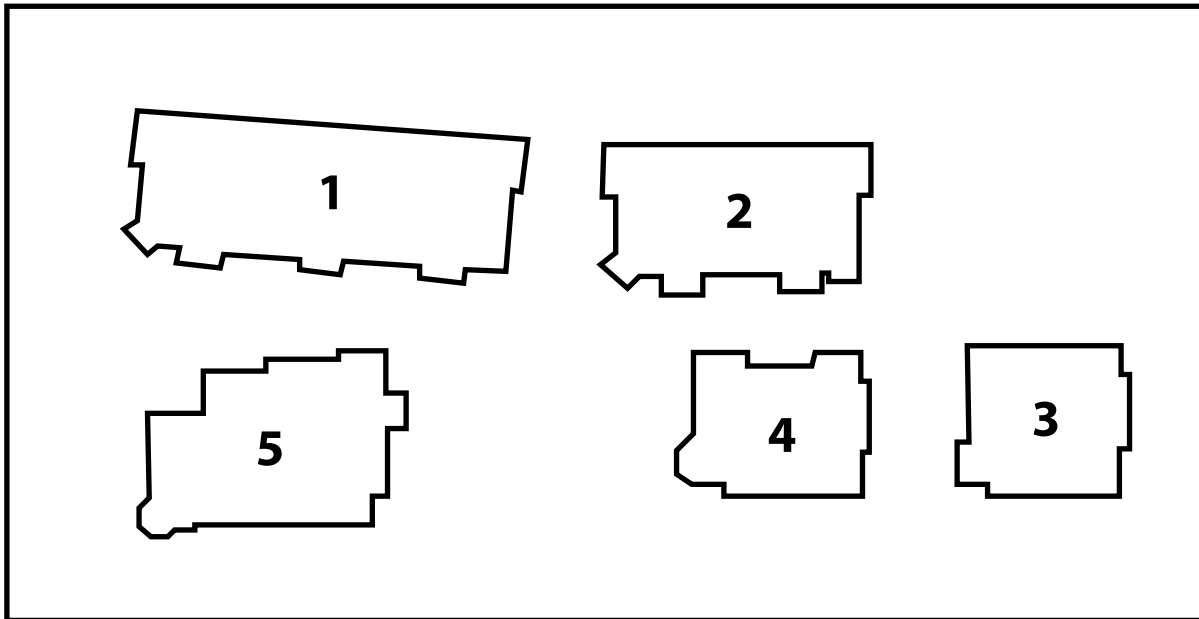


Second Floor



Knights Village

BUILDING LOCATIONS



- 1 - Mendota Haus**
- 2 - Galena Haus**
- 3 - Dubuque Haus**
- 4 - St. Sebald Haus**
- 5 - Saginaw Haus**

